

SYDNEY •
 SHANGHAI •
 HONG KONG •
 DALLAS •

WINHIGH[®]

A Great Catch

DCL-2

Features

Traditional shaped two hole cordlock with ergonomic design and innovative side webbing bar

- Improving on the more traditional style two-hole cordlocks
- Giving your customers a more comfortable user sensation
- Low-profile body ensures stable operation
- Ergonomic design with curved “finger-fit” edges
- Improved cord retention due to innovative “rhombus” shaped holes



Cordlock DCL-2

Item No.

Material

A
(mm)

B
(mm)

C
(mm)

D
(mm)

E
(mm)

DCL-2

DCL2

Acetal

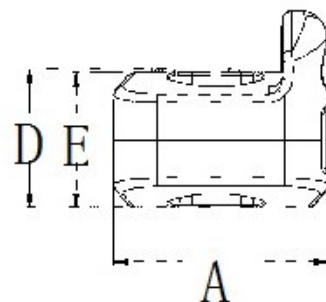
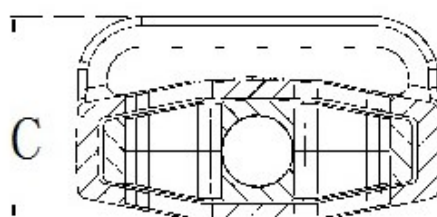
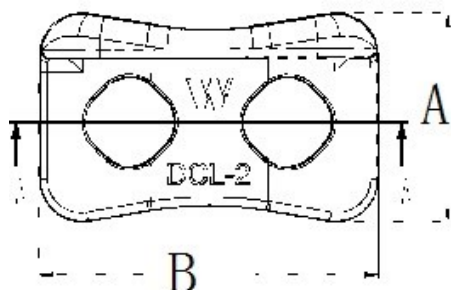
9.68

17.54

8.78

6.24

6.09



It is the responsibility of the customer to determine the suitability of Winhigh products for use in their particular application

www.winhigh.com.au

info@winhigh.com.au