

WINHIGH®

A Great Catch

BLL

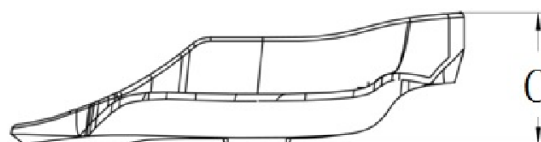
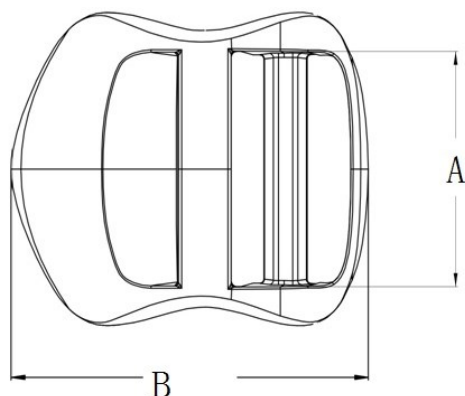
Features



High performance ladderlocks with the easiest and most convenient release characteristics

- Curvy and attractive ladderlocks
- Designed to accompany our Bondi range of SR buckles
- Excellent user properties
- Very high tensile strength
- Very wide and easily accessed release point
- Supremely easy to use, even wearing thick gloves

BLL	Item No.	mm	in	Material	Lowest Expected Tensile Load (LETL)	A (mm)	B (mm)	C (mm)
BLL-16	BLL16	16mm	5/16"	Acetal	534N	17.18	31.88	9.53
BLL-20	BLL20	20mm	3/4"	Acetal	534N	21.82	33.00	9.54
BLL-25	BLL25	25mm	1"	Acetal	668N	27.10	35.86	9.42



It is the responsibility of the customer to determine the suitability of Winhigh products for use in their particular application