

SYDNEY •
 SHANGHAI •
 HONG KONG •
 DALLAS •

WINHIGH®

A Great Catch

Bondi BDN

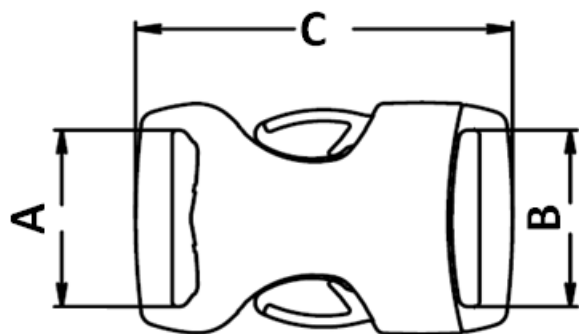
Features



Two-faced buckles, easy-release and symmetrical, ready to let your products shine

- High tensile strength to weight ratio
- Polished side-arms for easy and comfortable release
- Self guide shape for ease of use
- Tracking System™ on back side
- Audible click on closing
- Excellent low temperature performance down to -40°C

Bondi BDN	Item No.	mm	in	Material	Lowest Expected Tensile Load (LETL)	A (mm)	B (mm)	C (mm)	D (mm)
Bondi BDN 16	BD16	16mm	1"	Acetal	300N	16.00	16.00	33.20	7.59



It is the responsibility of the customer to determine the suitability of Winhigh products for use in their particular application

www.winhigh.com.au

info@winhigh.com.au